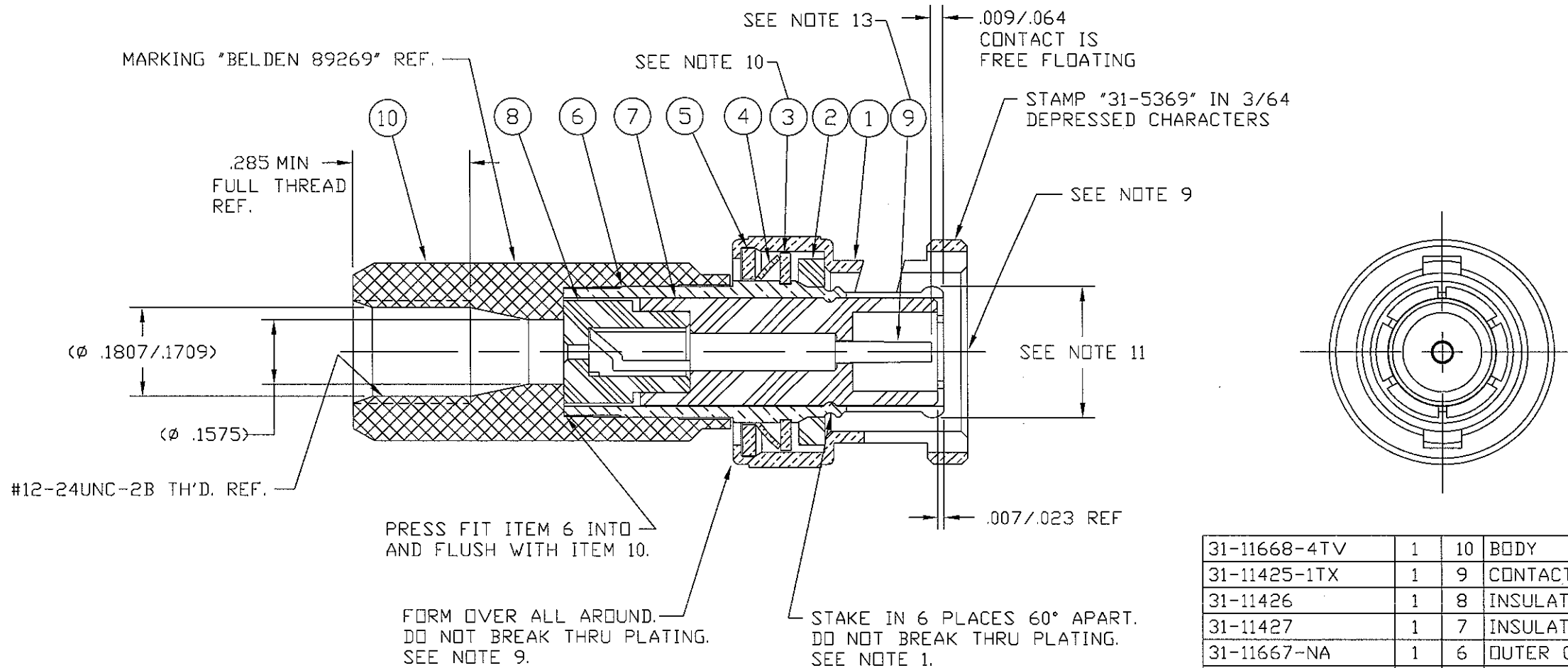


NOTES:

1. INSULATORS MUST WITHSTAND A PUSH-OUT FORCE OF 5 LBS MIN AFTER STAKING.
5. PACKAGE IN BAG 999-240.
6. FOR CABLE STRIPPING AND ASS'Y. INSTRUCTIONS SEE 349-50328.
7. SEE AMPHENOL SPEC 349-50349 FOR MECHANICAL TEST.
8. THIS ITEM IS SIMILAR TO 31-5136
9. MUST CONFORM TO SPEC 349-50551, SEC. 301. EXCEPT SPECIAL MATING FACE DIM'S. SHOWN.
10. AFTER ASSEMBLY, O.D. OF RING MUST NOT EXCEED .482.
11. BEFORE ASSEMBLY SET TINES TO .324 MIN/.330 MAX.
12. PLATING MUST CONFORM TO AMPHENOL SPEC 349-50560.
13. CAUTION: HANDLE WITH EXTREME CARE TO AVOID DAMAGE TO TINES.

31-5369		REVISIONS			
DRAWING NO.	REV	DESCRIPTION	DATE	ECO	APPR
THIRD ANGLE PROJ.	A	RELEASE TO MFG.	10/21/87	34637	RV
	B	REDRAWN TO AUTOCAD; ADD NOTES 9 THRU 11;	8/7/91	38404	DR
	C	UPDATE PLATE CODES; ITEM #9 WAS "TC"	2/23/93	39230	DR
	D	ITEM 9 & 10 WAS 'TC' PLATE	2/4/05	45311	CPM



31-11668-4TV	1	10	BODY	NOTE 12
31-11425-1TX	1	9	CONTACT	NOTE 12
31-11426	1	8	INSULATOR-REAR	
31-11427	1	7	INSULATOR-FRONT	
31-11667-NA	1	6	OUTER CONTACT	NOTE 12
31-914-NA	1	5	WASHER	NOTE 12
95631-NA	1	4	SPRING WASHER	NOTE 12
31-10720-NA	1	3	RING	NOTE 12
82-1535-3	1	2	GASKET	
31-1500-NA	1	1	BAYONET SLEEVE	NOTE 12
PART NUMBER	QTY	ITEM	DESCRIPTION	FINISH

UNLESS OTHERWISE SPECIFIED, DIMENSIONS ARE IN INCHES AND TOLERANCES ARE: 2 PLACE DECIMAL ±.015 (0,381 mm) 3 PLACE DECIMAL ±.005 (0,127 mm) ANGLES ± 1'	MATERIAL	DRAWN C. McGRATH	DATE 12/3/04	TITLE SURETWIST BNC PLUG SHEET METAL CONTACT FOR BELDEN 89269 & 86262 CABLE		Amphenol Amphenol Corporation RF/Microwave Operations Danbury, Conn. U.S.A. 06810		
	REFERENCE EAR 99900-0	ENGINEER D. ROYCE	DATE 10/13/87					
NOTICE - These drawings, specifications, or other data (1) are, and remain the property of Amphenol Corp. (2) must be returned upon request; and (3) are confidential and not to be disclosed to any person other than those to whom they are given by Amphenol Corp. The furnishing of these drawings, specifications, or other data by Amphenol Corp., or to any other person to anyone for any purpose is not to be regarded by implication or otherwise in any manner licensing, granting rights or permitting such holder or any other person to manufacture, use or sell any product, process or design, patented or otherwise, that may in any way be related to or disclosed by said drawings, specifications, or other data.		APPROVED	DATE	CAD FILE H:\DEPT611\BNC\031\ASSY\5369	CODE ID 74868	DWG SIZE B	DRAWING NO. 31-5369	REV D
							SCALE: 3:1	SHEET OF